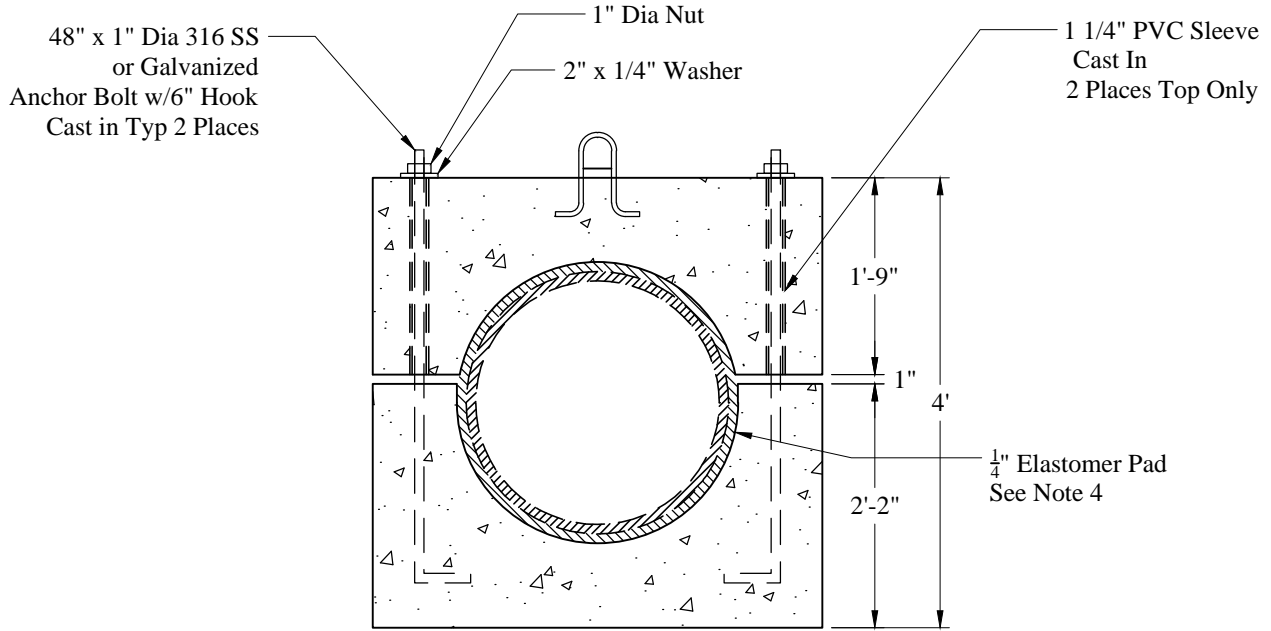


Pipe Size Per Contract Specifications



General Notes

1. Concrete: $f_c = 5,000$ psi @ 28 Days Minimum. Type III Portland Cement, 5% to 8% Entrained Air. Water /Cement Ratio Not to Exceed 0.44
2. Steel Reinforcement Conforms to Latest ASTM Specification: ASTM A-615 Grade 60 Black Deformed Bars 3" Minimum Cover
3. Anchor Bolts, Nuts, & Washers are 316 Stainless Steel or Galvanized
4. Supplied with 2 Pieces Commercial Grade Neoprene Rubber (per Side) 1,000 psi Tensile Strength, Black, Shore A50 Durometer Hardness
5. Maximum Pipe OD for This Anchor is 32"
6. Weight Estimate is Based on Hole Sized for Maximum Pipe OD
7. To Be Assembled by Contractor

Est Weight:

Top:	770 Lbs
Bottom	860 Lbs
Total:	1,630 Lbs

Phoenix
Precast
Products

Pipe Anchor Collar
Type I

P/N: PAC-TYPE1

Concord, NH 03301